



# WATER MANAGEMENT EQUIPMENT



**SOGEBOX CISTERN SYSTEM  
3 WAY SEWER JUNCTION BOX  
WATER METER HOUSING WITH LID  
STORMWATER SIPHON TRAP  
TELESCOPIC CONNECTION COLLAR**



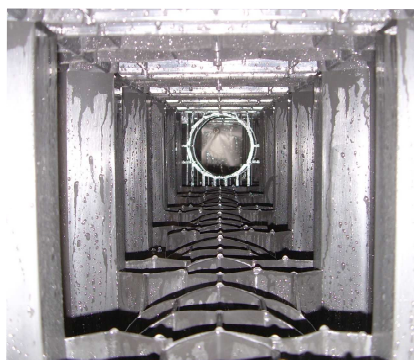
REF : EA 1002

### **SOGEBOX CISTERN SYSTEM V3 S**

- ◆ The system consists of SOGEBOX (Ultra Light Water Storage Structures). It allows for the construction of underground water storage basins to accept and store, storm water runoff.
- ◆ Designed to resist light surface constructions such as parking, storage area, parks etc .
- ◆ Modular in surface area and height, the SOGEBOX cistern system adapts to the requirements of your facilities and buildings.

#### Benefits:

- ◆ Monobloc = speed of assembly
- ◆ Made from durables materials
- ◆ Easily cleaned with pressure washer or by suction
- ◆ Accessible by camera for inspection
- ◆ Vertical manhole access as required (Ø 250 and 400 mm)
- ◆ Custom connections as required
- ◆ Individual design configuration possible with 1 to 4 SOGEBOX modules stacked in any configuration





REF: EA 1002  
**SOGEBOX CISTERN SYSTEM V3 S**

Specifications:

- ◆ Dimensions: 1200 x 600 x 540 mm (L x W x H)
- ◆ Volume: Gross : 390 Lt. / Net : 370 Lt. (96% space : 4 % plastic)
- ◆ Diameter of connections 125, 160, 200, 250, 315 and 400 mm
- ◆ Material: Polypropylene

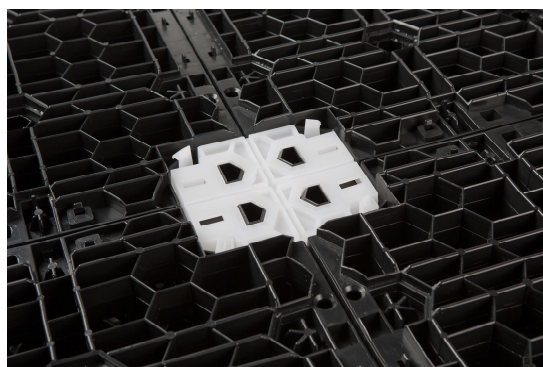
Connectors :

SOGEBOX modules are delivered with their connectors for assembly :

- ◆ Red for the long sides
- ◆ Yellow for the short sides
- ◆ White in the center (for 4 SOGEBOX modules)

Instructions:

- ◆ Delivered with complete assembly instructions.





REF : EA 2002

### 3 WAY SEWER JUNCTION BOX

The junction box assures ventilation and clear flow of domestic effluent discharged into the sewer.

#### Specifications:

- ◆ Height: 370 mm
- ◆ Various capacity :
  - Ø 250 mm
  - Ø 315 mm
  - Ø 400 mm
- ◆ Adapted for flow interrupter
- ◆ Material: Polypropylene

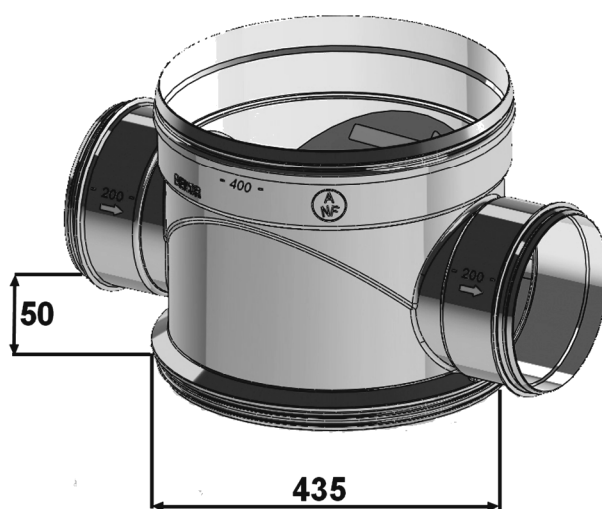
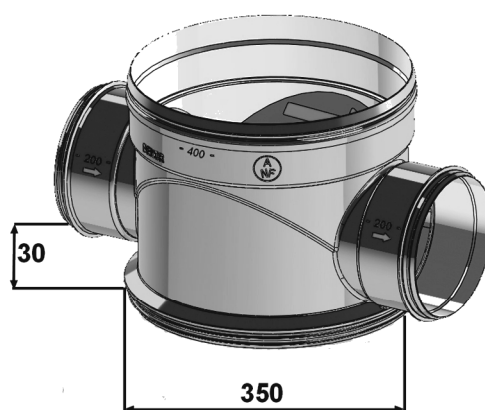
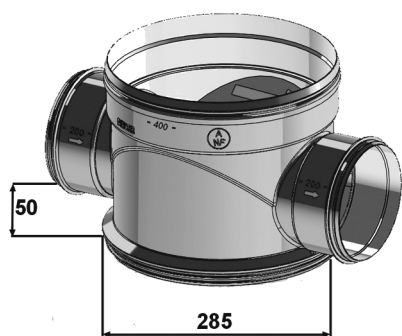
#### Colours :



#### Certifications :

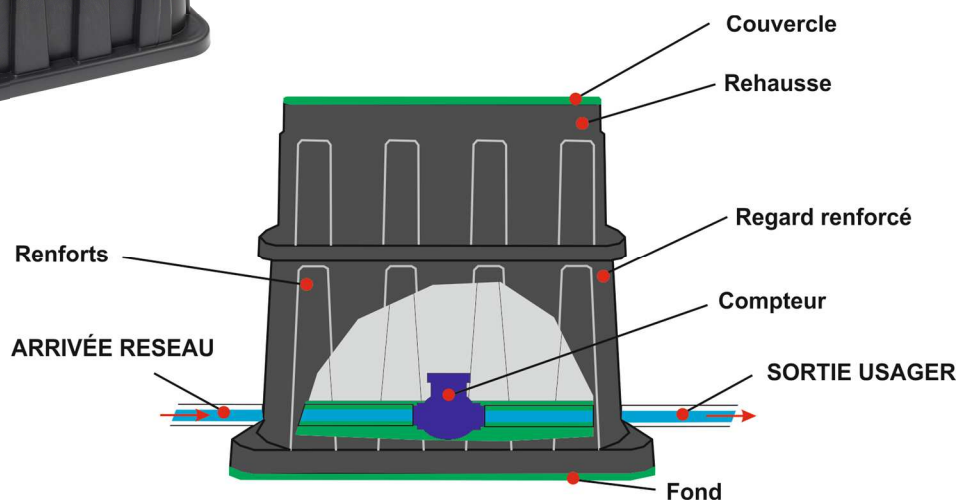
Junction boxes certified NF 442 and BENOR.





Ø Dimensions (mm)	Ø Connectors (mm)		Packing quantity
	Entry	Exit	
250	100	125	45 / Pallet
	125	125	
	100	160	
	160	160	
315	100	125	30 / Pallet
	125	125	
	100	160	
	160	160	
	200	200	
400	125	125	25 / Pallet
	160	160	
	200	200	

For all non-standard quantities, call our sales advisers.



REF : EA 4008

#### COVERED HOUSING FOR WATER METER

The housing is for the protection and accessibility of water meters. It comes in 2 versions : standard ; and adapted for pavements.

Various covers:

- ◆ Simple cover
- ◆ Cover with insulation
- ◆ Cast iron with insulation
- ◆ Cast iron simple

- ◆ Material : Polypropylene

Delivery :

- ◆ With or without extension
- ◆ Fully assembled or in pieces

Packing quantities :

- ◆ Complete : 26 pc / Pallet
- ◆ Without extension: 48 pc / Pallet
- ◆ Cast iron with / without extension: 16 pc / Pallet





REF : EA4004 : **COVER**  
REF : ACC001 : **INSULATION**

- ◆ Dimensions : 517 x 369 x 78 mm
- ◆ Combined weight : 2,22 Kg
- ◆ Resistance 1,5 Tonnes
- ◆ Simple or with polystyrene insulation 0,170 Kg



REF : ACC005 : **CAST IRON COVER**  
REF : ACC002 : **INSULATION FOR CAST IRON COVER**

- ◆ Dimensions : 500 x 350 x 40 mm
- ◆ Combined weight : 17 Kg
- ◆ Resistance 12,5 Tonnes
- ◆ Simple or with polystyrene insulation 0,170 Kg



REF : EA4002 : **EXTENSION**

Extension adapter

- ◆ Height : 195 mm
- ◆ Top dimensions : 516 x 367 mm
- ◆ Base dimensions : 591 x 444 mm
- ◆ Weight : 3,12 Kg
- ◆ Quantities : 52 pc / Pallet



REF : EA4001 : **BODY**

Body

- ◆ Height 309 mm
- ◆ Top dimensions : 517 x 368 mm
- ◆ Base dimensions : 646 x 502 mm
- ◆ Weight : 5,13 Kg



REF : EA4003 : **BASE**

Base with hole

- ◆ Ø hole : 85 mm
- ◆ Weight : 1,9 Kg



REF : EA 3004

### STORMWATER SIPHON TRAP

The siphon enables construction of heavy duty, easy to install, leak proof, networks.

3 models available :

- ◆ 10 Lt.
- ◆ 43 Lt.
- ◆ 85 Lt.

Specifications:

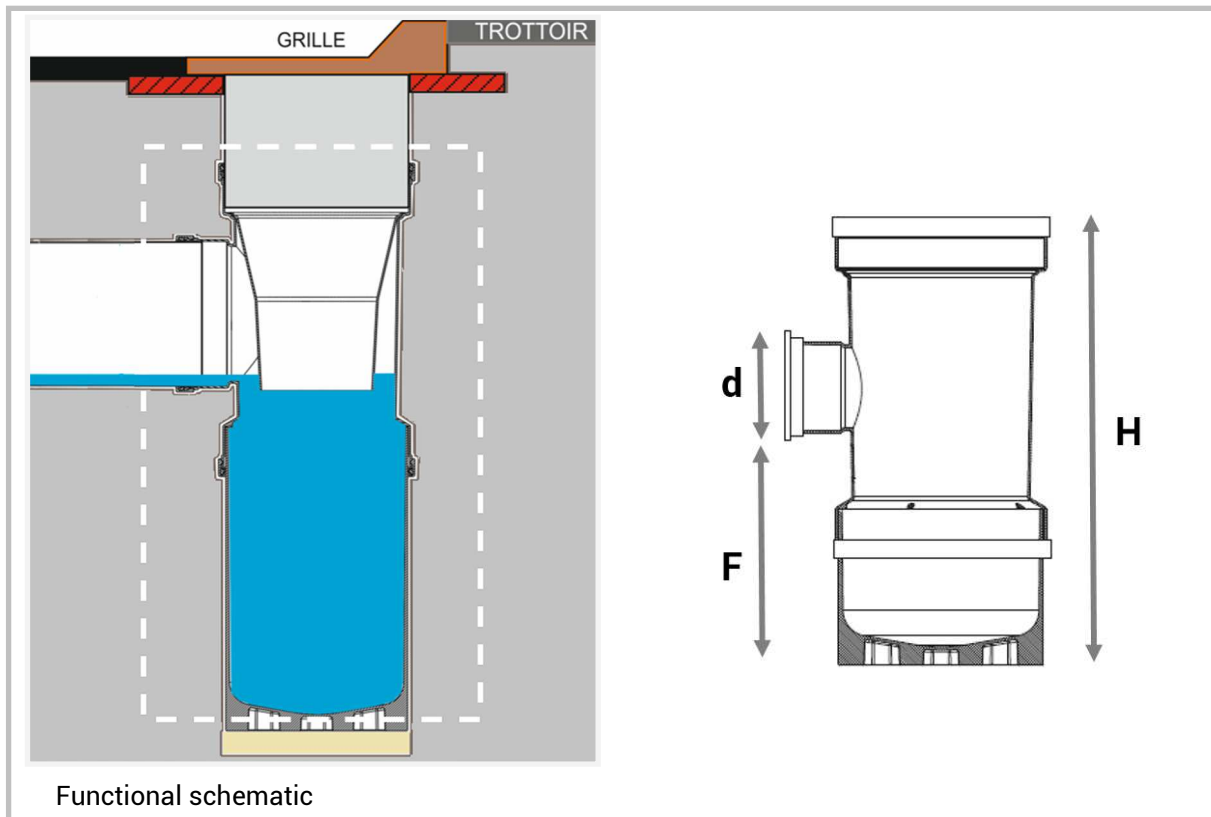
- ◆ Input Ø 400 mm
- ◆ Impact strength of 80 kg / cm<sup>2</sup>
- ◆ One piece coupling with water trap
- ◆ Female exits, maintaining water level
- ◆ Concave bottom for easy cleaning
- ◆ Delivered with siphon to eliminate odours from the sewer
- ◆ Material: Polypropylene

Option:

- ◆ Galvanized steel frame with mesh basket 28 x 13 mm







Dimensions of differents models :

Models	d Ø Connector	H Total height	F Height of water level	Capacity
EA3001 SIPHON 10 Lt.	160 mm	630 mm	215 mm	12,5 Lt.
	200 mm		195 mm	11 Lt.
	250 mm		165 mm	9 Lt.
	315 mm		135 mm	7 Lt.
EA3005 SIPHON 43 Lt.	160 mm	880 mm	490 mm	47 Lt.
	200 mm		470 mm	45 Lt.
	250 mm		440 mm	41 Lt.
	315 mm		410 mm	38 Lt.
EA3009 SIPHON 85 Lt.	160 mm	1 250 mm	860 mm	89 Lt.
	200 mm		840 mm	88 Lt.
	250 mm		810 mm	83 Lt.
	315 mm		780 mm	80 Lt.



A. REF : EA 2039/001

#### TELESCOPIC CONNECTION COLLAR

The telescopic tube flange provides permanent access to the shut off valve at the water meter.

- ◆ Minimum length : 540 mm
- ◆ Maximum length : 920 mm
- ◆ Weight : 1 Kg
- ◆ Sensor ring collar:
- Ø Ext. 90 mm
- Ø Int. 81 mm
- Height 30 mm
- ◆ Material : Polyethylene

B. REF : EA 2039/002

#### TELESCOPIC TUBE WITH PROTECTIVE FLANGES

The telescopic tube protects the connection while providing access to the shut off valve at the water meter.

- ◆ Minimum length: 665 mm
- ◆ Maximum length: 1030 mm
- ◆ Weight: 1.10 kg
- ◆ Sensor ring
- Ø Min. internal 115 mm
- Height 140 mm
- ◆ Material : Polyethylene

