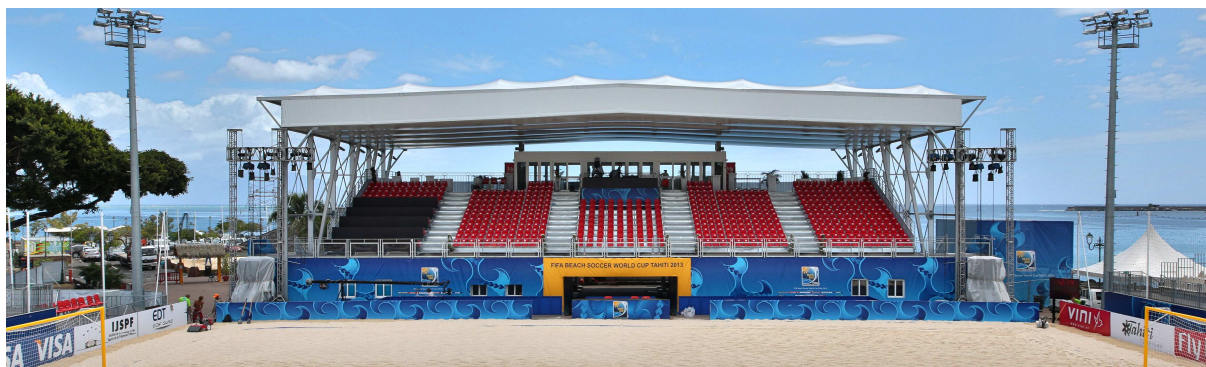
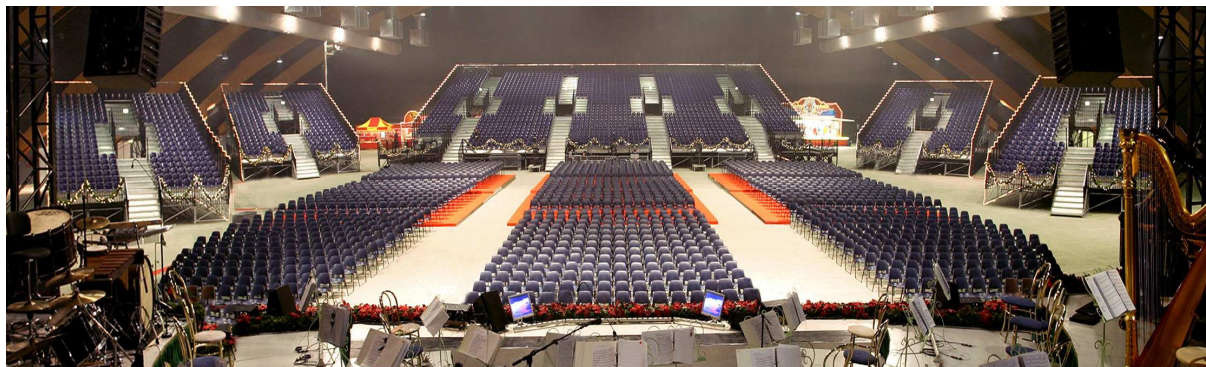




# SEATS & CHAIRS



Seats & Chairs



Stade de Tours

REF : AS 1004

### SEAT SHELL – SINEL

Specially designed according to EN 13200-4, The model Sinel meets FIFA and UEFA regulations to equip any stadium. This model is unique and available in 3 versions With 3 different methods to fix onto any substructure. It will adapt to fixed or demountable stands.

Specifications:

- ◆ Dimensions: 405 x 395 x 420 mm
- ◆ Weight: 1.25 Kg
- ◆ Slotted seat bottom
- ◆ UV protection / M4  
6-year colour guaranty optional
- ◆ Fire rating M3 / M4
- ◆ Material: Polypropylene
- ◆ Colour saturated

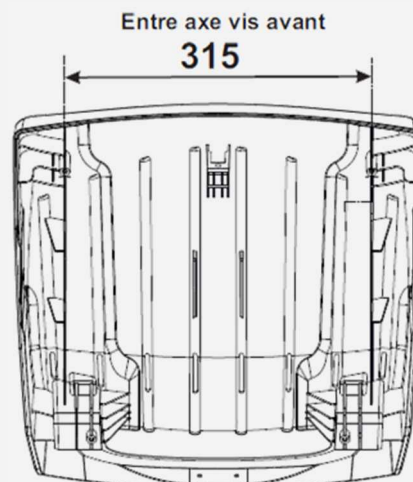
Colours: Non standard colours available in quantities greater than 500 pcs

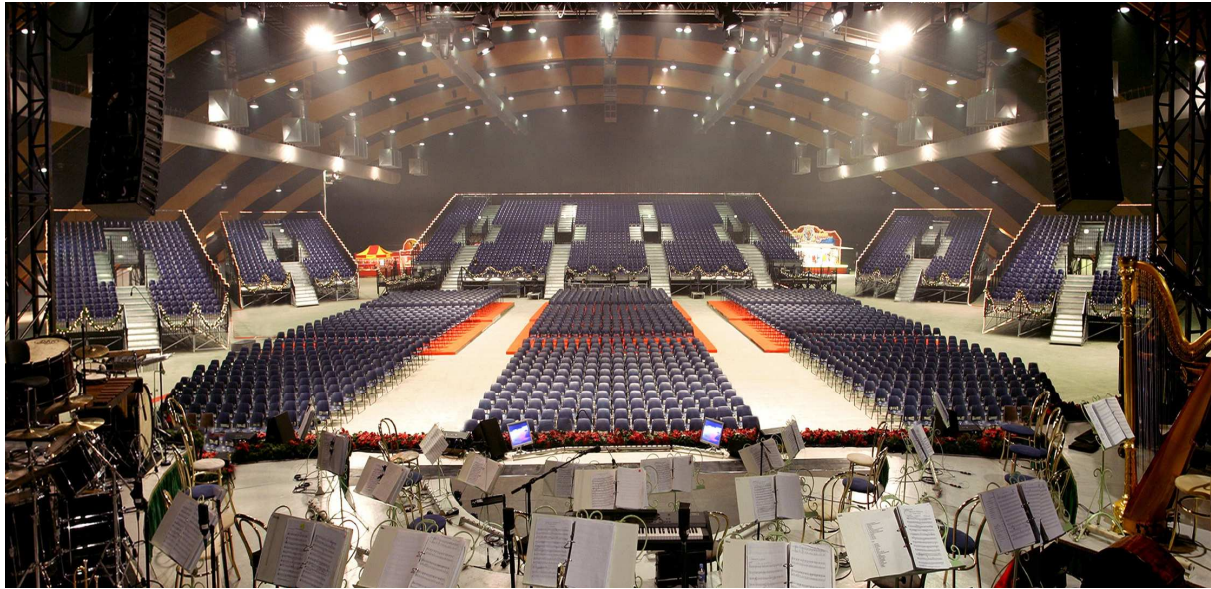
Recommended installation :

- ◆ 2 or 4 fixing screws under the seat depending on the model
- ◆ Multi fix strip adaptor optional
- ◆ Maximum span for support 315 mm

Fix to :

- ◆ Metal Console
- ◆ Seat Support
- ◆ Legs





Grand Hall de Tours

REF : AS 1001

### SEAT SHELL – STADIUM

The model Stadium is the most popular choice. Light and comfortable, this shell can be adapted to permanent and temporary arenas of all types and configuration.

#### Specifications:

- ◆ Dimensions: 390 x 370 x 400 mm
- ◆ Weight: 0.780 Kg
- ◆ Slotted seat bottom
- ◆ UV protection / M4  
6-year colour guaranty optional
- ◆ Fire rating M3 / M4
- ◆ Material: Polypropylene
- ◆ Colour saturated

Standard colours:



RAL No. 1015 - 5005 - 7038 - 3020

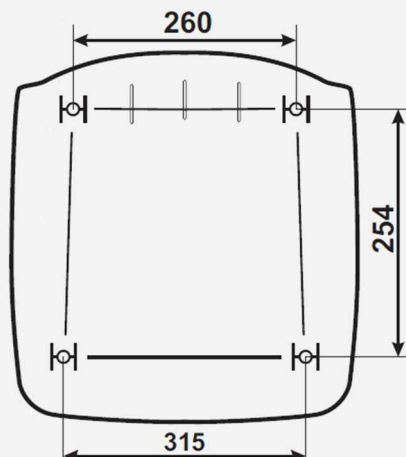
Non standard colours available in quantities greater than 500 pcs

#### Recommended installation :

- ◆ 4 fixing screws under the seat depending on the model

Fix to :

- ◆ Metal Console
- ◆ Seat Support
- ◆ Legs





REF : AS 1023

### SEAT SHELL – DIRAM


The model Diram provides comfortable seating in all Applications and configurations fitting easily onto All types of equipment including agricultural equipment and umpire's chair !

Specifications :

- ◆ Dimensions : 390 x 460 x 410 mm
- ◆ Weight : 1,00 Kg
- ◆ UV protection / M4  
6-year colour guaranty optional
- ◆ Fire rating M4
- ◆ Material: Polypropylene
- ◆ Colour saturated



Non standard colour / ocre

Standard colour :   
RAL N° 9016

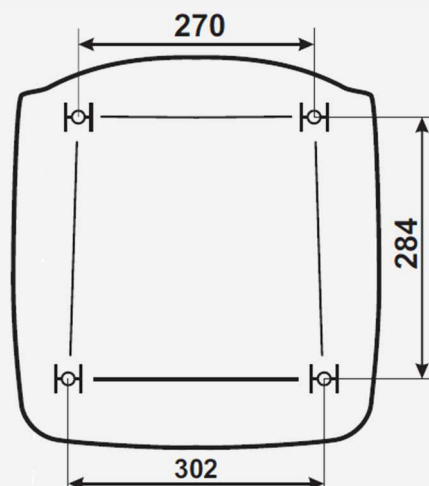
Colours: Non standard colours available in quantities greater than 500 pcs

Recommended installation :

- ◆ 4 fixing screws under the seat depending
- ◆ on the model

Fix to :

- ◆ Metal Console
- ◆ Seat Support
- ◆ Legs





Vendu sans piètement

REF : AS 2001 & AS 2004

## SEAT SHELL – PENNY 1 & 2

### SPECIALE SIZE FOR CHILDREN

Specifications :

- ◆ Dimensions :  
Penny 1 : 305 x 280 x 265 mm  
Penny 2 : 330 x 310 x 285 mm
- ◆ Weight :  
Penny 1 : 0,460 Kg  
Penny 2 : 0,480 Kg
- ◆ UV protection / M4  
6-year colour guaranty optional
- ◆ Fire rating M4
- ◆ Material: Polypropylene
- ◆ Colour saturated

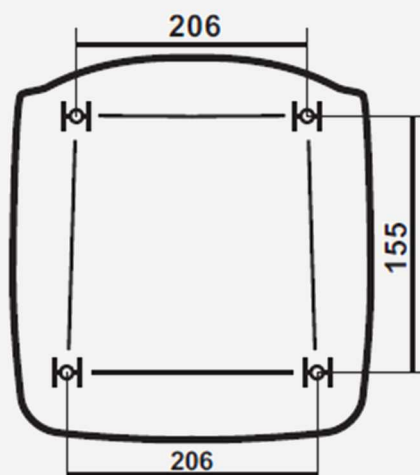
Standard colours : 

RAL N° 1015 – 5005 – 7038 – 3020 – 1023

Non standard colours available in quantities greater than 500 pcs

Recommended installation :

- ◆ 4 fixing screws under the seat
- Fix to :
- ◆ Metal Console
  - ◆ Seat Support
  - ◆ Legs





REF : AS 2007

### SEAT SHELL - PENNY 5

The model Penny 5 is similar to Penny 2  
except it is for adults!

Specifications :

- ◆ Dimensions : 370 x 450 x 445 mm
- ◆ Weight : 1,370 Kg
- ◆ UV protection / M4  
6-year colour guaranty optional
- ◆ Fire rating M3 / M4
- ◆ Material: Polypropylene
- ◆ Colour saturated
- ◆ Shell has textured finish



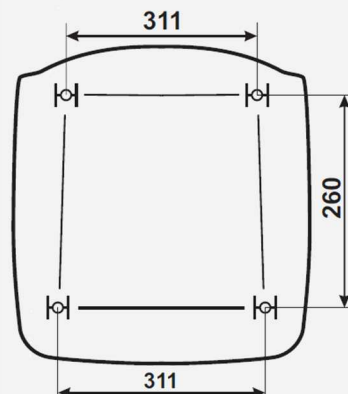
Colours: Non standard colours available  
in quantities greater than 500 pcs

Recommended installation :

- ◆ 4 fixing screws under the seat

Fix to :

- ◆ - Metal Console
- ◆ - Seat Support
- ◆ - Legs



REF : AS 1024

### SEAT SHELL – PIASTRE

Specifications :

- ◆ Dimensions : 425 x 545 x 410 mm
- ◆ Weight : 1,50 Kg
- ◆ UV protection / M4
- ◆ Fire rating M4
- ◆ Material: Polypropylene
- ◆ Colour saturated

Colours: Non standard colours available  
in quantities greater than 500 pcs

Recommended installation :

- ◆ Clip fixing system underneath
- ◆ Front is fixed with a hook





REF : AS 1022

### SEAT SHELL—ESCUDOS

Specifications :

- ◆ Dimensions : 405 x 470 x 370 mm
- ◆ Weight : 1,160 Kg
- ◆ UV protection / M4  
6-year colour guaranty optional
- ◆ Fire rating M3 / M4
- ◆ Material: Polypropylene
- ◆ Colour saturated

Colours: Non standard colours available  
in quantities greater than 500 pcs

Recommended installation :

- ◆ 4 fixing screws under the seat

Fix to :

- ◆ Metal Console
- ◆ Seat Support
- ◆ Legs



REF : AS 2010

### SEAT SHELL - KOPECK

Specifications :

- ◆ Dimensions : 437 x 445 x 440 mm
- ◆ Weight : 1,500 Kg
- ◆ UV protection / M4  
6-year colour guaranty optional
- ◆ Fire rating M3 / M4
- ◆ Material: Polypropylene
- ◆ Colour saturated

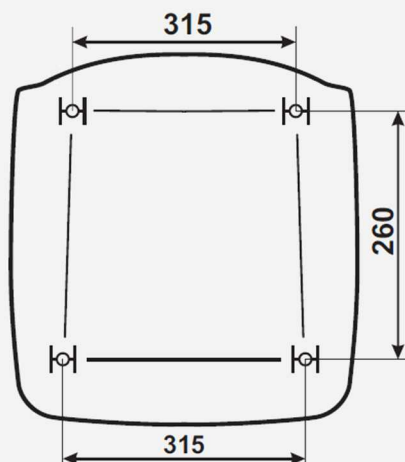
Colours: Non standard colours available  
in quantities greater than 500 pcs

Recommended installation :

- ◆ 4 fixing screws under the seat

Fix to :

- ◆ Metal Console
- ◆ Seat Support
- ◆ Legs





REF : AS 1019

### HALF SEAT SHELL – ARGUS

Specifications :

- ◆ Dimensions : 405 x 345 x 115 mm
- ◆ Weight : 0,870 Kg
- ◆ Fix directly on concrete terrace or step
- ◆ Anti-hooligan fixing bar under the seat Ø 9 mm
- ◆ Seat number Ø 35 mm
- ◆ UV protection / M4  
6-year colour guaranty optional
- ◆ Fire rating M3 / M4
- ◆ Material: Polypropylene
- ◆ Colour saturated



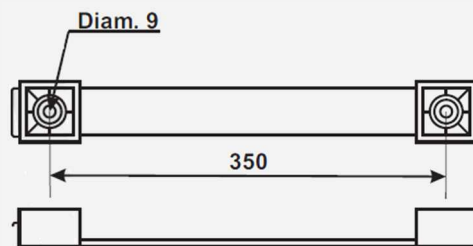
Colours : 

RAL N°1015 – 5005

Colours: Non standard colours available  
in quantities greater than 500 pcs

Recommended installation :

- ◆ Fixe directly onto concrete terrace or step







REF : AS 3014  
**CHAIR - IODA**

The model IODA is a stackable chair with a large seating area compare to other models. Extremely comfortable and robust, ideal to equip both private and public applications.

Specifications :

- ◆ Dimensions : 450 x 580 x 480 mm
- ◆ Depth of seat : 410 mm
- ◆ Weight : 3,20 Kg
- ◆ Fire rating M3 / M4
- ◆ Material: Polypropylene
- ◆ Colour saturated

Colours: Non standard colours available  
in quantities greater than 500 pcs





REF : AS 3001  
**CHAIR-EXCEL**

Stackable and interlocking chair.  
Comfortable and robust, this model is the choice for public applications.

Used in many municipalities, canteens, schools, administrations.

Specifications :

- ◆ Dimensions : 470 x 450 x 500 mm
- ◆ Depth of seat : 340 mm
- ◆ Weight : 2,70 Kg
- ◆ Fire rating M3 / M4
- ◆ Material: Polypropylene
- ◆ Colour saturated

Colours: Non standard colours available in quantities greater than 500 pcs

